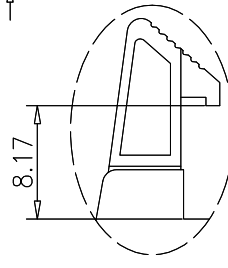
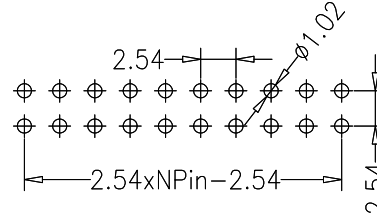
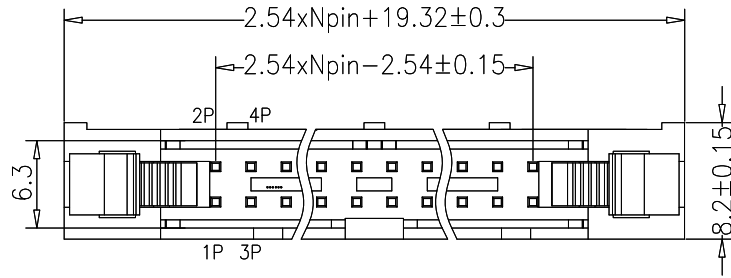


Recommended P.C.B Layout(Top Side)
(PCB BOARD TOLERANCE±0.05)

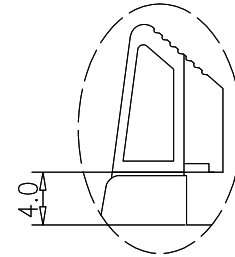
SPECIFICATIONS

Rated Current:3.0AMP
Contact Resistance:20mΩ Max
Withstand Voltage:1000V AC/DC
Insulation Resistance:1000MΩ Min
Operation Temperature:-40°c to +105°c

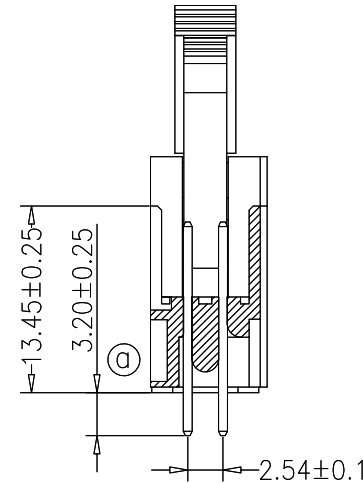
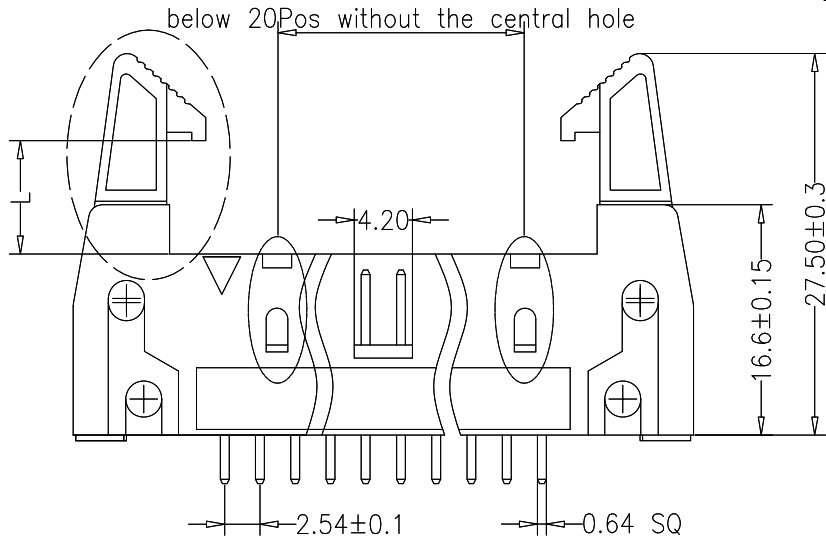
Contact Material:Brass
Contact Plating:Au or Sn Over Ni
Insulator Material:Polyester(UL94V-0)
Standard: PA6T
Max.Processing Temp: 230°C for 30-60 seconds
(260°C for 10 seconds)



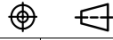
Long Latch



Short Latch



Pin	P/N	Pin	P/N
6	12120623001	36	12123623001
8	12120823001	38	12123823001
10	12121023001	40	12124023001
12	12121223001	42	12124223001
14	12121423001	44	12124423001
16	12121623001	46	12124623001
18	12121823001	48	12124823001
20	12122023001	50	12125023001
22	12122223001	52	12125223001
24	12122423001	54	12125423001
26	12122623001	56	12125623001
28	12122823001	58	12125823001
30	12123023001	60	12126023001
32	12123223001	62	12126223001
34	12123423001	64	12126423001

Dwg. No.		12D000025		IDC EjectorHeader XXPIN 2.54mm Type Male 180°	寰宇hnndo			
Projection								
Unit	mm	Scale	NOT TO SCALE		P/N	1212XX23001		
Type	IDC	Sheet	1/1	Date	2025/8/1	Ver. NO	1.0	